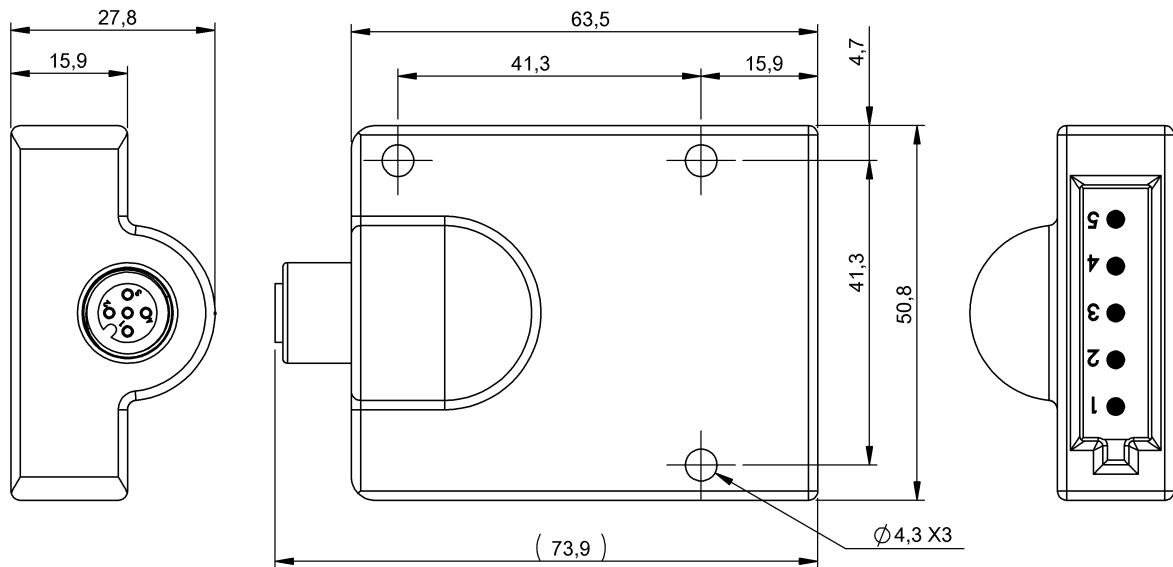


## Adapters

**BCC M415-D115-AF-RA142-000**

**Order Code: BCC0K9C**

# BALLUFF



### Basic features

<b>Application</b>	Panel connector
<b>Approval/Conformity</b>	WEEE

### Electrical connection

<b>Cable</b>	gray
<b>Conductor cross-section</b>	18 AWG
<b>Connection 1</b>	M12x1-Female, straight, 5-pin, A-coded
<b>Connection 2</b>	D-Sub-Male, straight, 5-pin
<b>Connector 01, version</b>	straight
<b>Connector 02, version</b>	straight
<b>Number of conductors</b>	5
<b>Number of pins</b>	5/5

### Electrical data

<b>Operating voltage <math>U_b</math></b>	300 VDC / 300 VAC
<b>Rated current (40 °C)</b>	4.0 A

### Environmental conditions

<b>Cable temperature, fixed routing</b>	-40...105 °C
---	--------------

### Interface

<b>Switching output</b>	Complementary
-------------------------	---------------

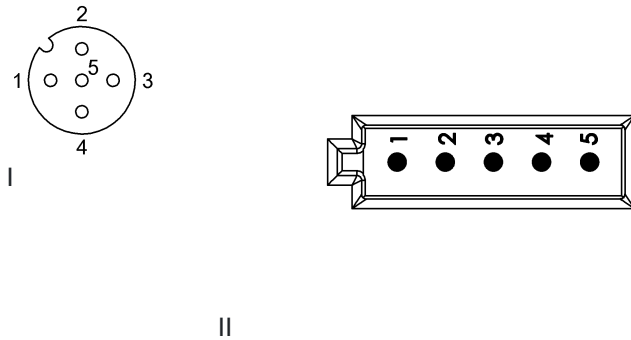
### Material

<b>Material contact carrier</b>	PA 6.6
<b>Material contacts</b>	Copper alloy
<b>Material grip</b>	PVC

### Mechanical data

<b>Cable jacket, color</b>	gray
----------------------------	------

## Connector Drawings



## Wiring Diagrams

